

05.1.5 - Set up the machine observing the levels near the distributors for stabilizer operation (fig. 39). Maximum allowed inclination is 3°. Greater inclinations overload the distributor boom swivel motion, the stabilizers and could jeopardize machine stability (fig. 40).

Machine inclination can be compensated so all four stabilizers rest firmly on the ground.

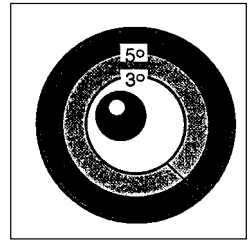


FIG. 39

WARNING!

DURING CONCRETE PUMPING, ALWAYS KEEP THE STABILIZERS CONTROLLED AND, IF NECESSARY, CHANGE THEIR POSITION BECAUSE, DUE TO LOSS OF OIL, THE MACHINE COULD SUBSIDE ON ONE OR MORE STABILIZERS THEREBY LESSENING STABILITY.

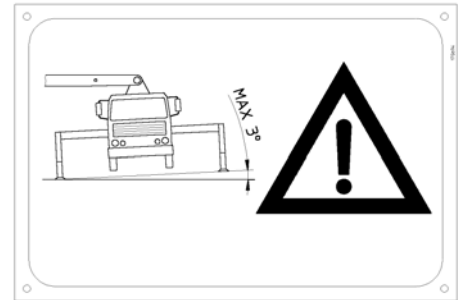


FIG. 40

05.1.6 - Open the stabilizers completely, slide the horizontal telescopic elements until the reference arrows are aligned (fig. 54) which indicate correct opening. The stabilizer dimensions shown in the illustration will have thus been achieved (fig. 41).

Position the vehicle horizontally and raise it until the wheels are about 50 mm from the ground. During boom extension, the vehicle must act as counterweight.

05.1.7 - Set up the machine so that stability is assured for the entire range of action of the boom.

- The operator is responsible for support safety. He must check the work site and refuse to proceed if any doubts exist as to stability.
- The stabilizers must be fully extended.
- Vertical loads are indicated in **KN** (Kilo Newton) and **t** (ton) on a plate affixed to each stabilizer (fig. 43).
- Respect safety distances from wells, slopes, underground passages, foundation works, over-ground electric lines, etc. ($A \geq 2T$, fig. 43).
- Do not rest wood blocks on cavities of the ground.
- The ground must be flat. If the support plates are rested on rough ground, they will break (fig. 42).

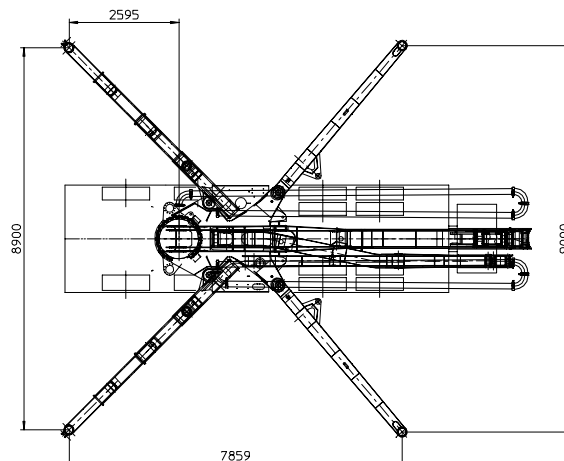
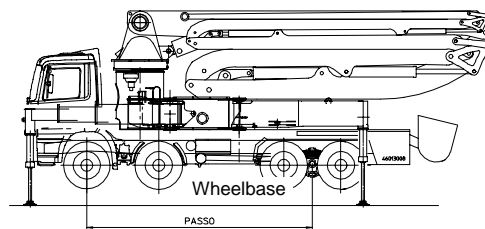


FIG. 41

05.1.8 - NEVER SET UP THE MACHINE ON LANDFILLS!

Maximum load on stabilizers is indicated on the relative plate (fig. 43) and can reach the following values:

Load on each rear stabilizer = 280 KN (30 t)

Load on each front stabilizer = 260 KN (30 t)

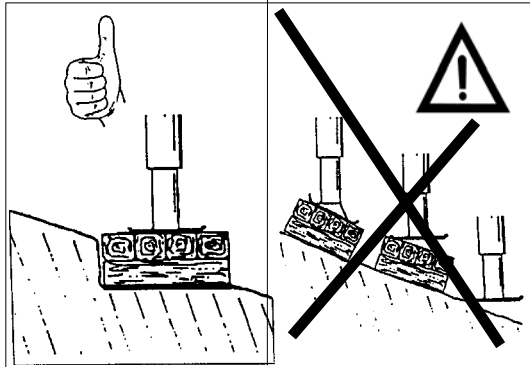


FIG. 42

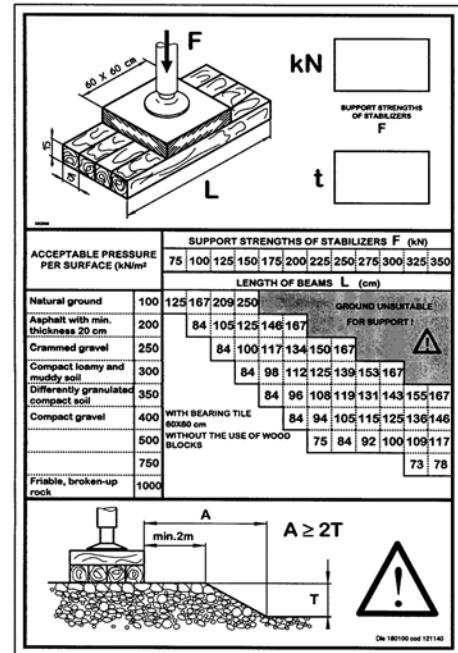


FIG. 43

05.1.9 – The quality of the ground must guarantee machine and distributor boom stability.

For details of required ground surface area, see point 05.2 of this manual.

05.1.10 – It is forbidden to extend the distributor boom and the end hose beyond the length specified on the boom plate (fig. 44). It is forbidden to connect additional delivery pipes to the end hose (fig. 45).

The end hose must be always fastened with a stop collar and safety cable (fig. 13) and it must not have, at the ends of the free part, metallic rings which could be dangerous in case of impact.

At the end of pumping, the distributor boom must be closed in the "non-operating" position and the ignition key must be taken out from the control panel.

Moreover the motor must be switched off and protected against improper use, for example locking the operator's cabin.

Even when leaving the machine for a short time, always take out the key from the control panel and switch off the motor.

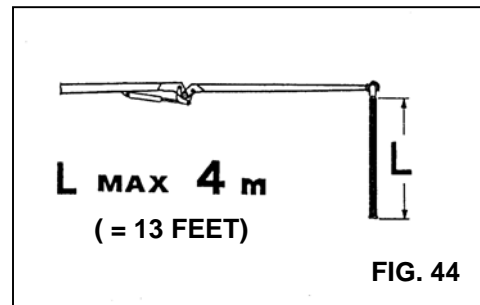


FIG. 44

05.1.11 – OPERATING TEMPERATURES (see fig. 46)

Minimum allowed environment temperature -20°C (253°K)

Maximum allowed environment temperature +40°C (313°K)

WARNING!

It is forbidden using the boom outside the prescribed temperature range as it could jeopardize safety inside the boom. In fact, if work is done at lower temperatures, the strength of the entire structure is jeopardized, while if work is done at higher temperatures, this will jeopardize the reliability of the hydraulic components (hydraulic cylinders, pump, distributor).

The choice of the hydraulic oil must be done considering the environmental temperature.

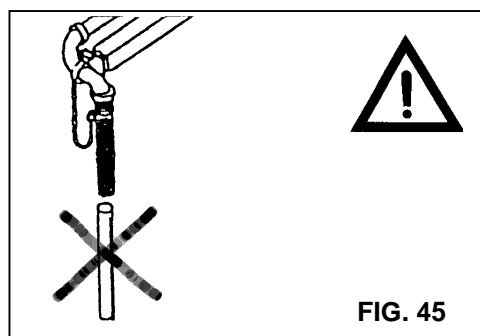


FIG. 45

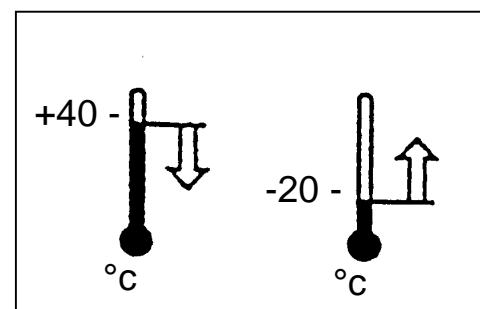


FIG. 46